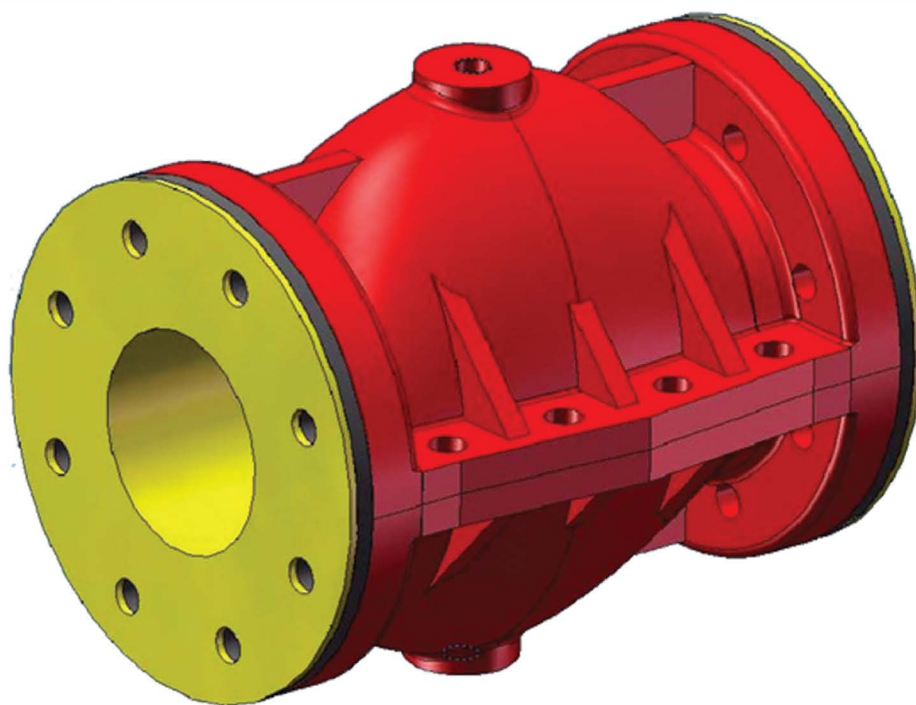


# RHINOFLEX®

## P-SERIES

### AIR ACTUATED PINCH VALVE



The RHINOFLEX P-SERIES, pneumatic-hydraulic Pinch Valve, is designed especially for highly abrasive and aggressive applications. The valve comprises of a tailor made re-enforced elastomer sleeve, encased in a high-grade, cast ductile iron body. The elastomer sleeve is the only wetted part. The inside cavity between the sleeve and the wall of the body, acts as a Built-In Actuator. Compressed air or Hydraulic Oil is used to operate the valve as a "Control" valve or "On-Off " service, and the central portion of the sleeve collapses, gas tight even on solid particles. Pressure is released to open the valve. This valve is extremely simple, cost effective and surprisingly versatile

## Features:

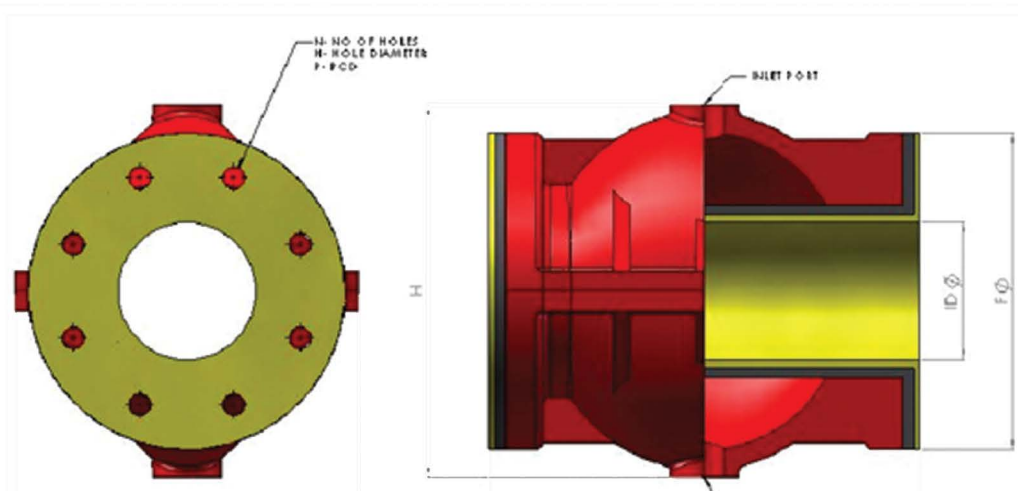
- Easily Interchangeable with standard Diaphragm Valves (BS5156 Face to Face)
- No moving parts, only one wear resistant elastomer sleeve.
- Will not Clog, Self Cleaning.
- Drop tight closure around solid particles.
- Full Bore, Full Flow.
- Minimum Pressure Drop.
- Inexpensive Air/Hydraulic actuation
- ON-OFF or Control Service.
- Fast and Easy Sleeve Replacement and Servicing



## Applications:

- Mineral Concentrates, Slurry Lines, Tailings
- Flotation cells, Thickener / Clarifier underflow
- Cyclone Control/Isolation
- Dewatering/Sludge disposal
- Lime Transfer/Abrasive Corrosive Chemicals
- Power stations/ Fly Ash / Bottom Ash
- Mineral Sands/Gravel/Cement
- Pneumatic Conveying/Dry Hoppers
- Water/Waste Water/Sewage/Effluent
- Inks/Blood/Food/Wine/Beverages/Pulp/Paper/Starch

## Dimensions:



Valve ID mm	Max CWP (psi)	Length (F/F)	Width (W)	Height (H)	Flange (F)	Vol ft <sup>3</sup>	Total weight	N	H <sub>unc</sub>	P
50	125	198	216	181	152	.016	15	4	½"	114
80	125	262	254	206	190	.049	23	4	5/8"	146
100	100	312	298	270	230	.091	32	8	5/8"	178
150	75	415	387	343	280	.327	81	8	5/8"	235
200	75	530	444	457	343	.640	116	8	5/8"	292



# RHINOFLEX®

5/73 Holder Way  
Malaga, Western Australia 6090

Ph: 61-8 9275 8584  
Fax: 61- 8 9249 3542  
Mob: 61- 0405505073

Email: [sales@rhinoflex.com.au](mailto:sales@rhinoflex.com.au)

Web: [www.rhinoflex.com.au](http://www.rhinoflex.com.au)